

Due to our policy of constant technological upgrading, technical specifications may be subject to change without prior notice. According to the standards in force, in extra-EU areas the availability and specifications of some products and/or characteristics may vary. Please contact your local distributor for further information.



Making Your Life Better.

BU Medical Equipment

**Sede legale ed amministrativa
Headquarters**

Cefla s.c.
Via Selice Provinciale, 23/a
40026 Imola - Bo (Italy)
tel. +39 0542 653111
fax +39 0542 653344

**Stabilimento
Plant**

Via Bicocca, 14/c
40026 Imola - Bo (Italy)
tel. +39 0542 653441
fax +39 0542 653601



ANTHOS STOOLS

- S7
- S8
- S9

erios

PRACTICALITY AND WELLBEING



Comfort for everyone

COMFORT

The new range of Anthos stools offers practical, comfortable, ergonomic solutions that improve the workplace by reducing physical strain for users and allowing them to retain high levels of focus and energy.

Sleek lines and a broad colour range make them suited to any dental studio layout while their compactness allows for a correct approach to the operating zone at all times.



The right stool for you

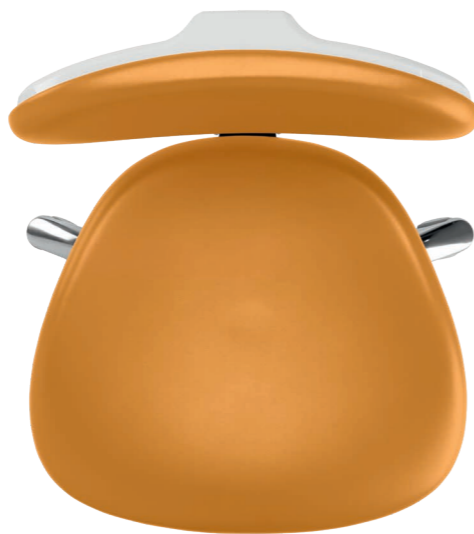
S7

The S7 stool helps operators maintain proper posture whatever their build, preventing both short- and long-term discomfort.

Comfortable and ergonomic, the stool is optimised to streamline movement, workflow and treatment dynamics by providing proper support at all times.

Seat.

The seat features soft easy-to-clean padding with ergonomic lines that aid proper positioning of legs and back during treatment.



Backrest.

The compact backrest can be adjusted to the desired height. It offers optimal lumbar support when speaking to patients and performing treatment or examinations.



Tilt.

Backrest tilt is adjustable, ensuring very good lumbar support for patients of any build.

Adjustment.

Both seat and backrest feature independent height adjustment, ensuring proper posture and leg position for all body types.



Stress-free work

S9

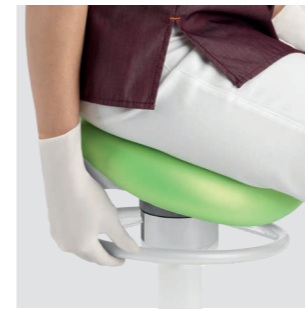
Our latest saddle stools allow users to maintain a more vertical position and get close to patients without arching the spine,

resulting in proper neck and back posture. This ensures a more relaxed working style and the prevention of muscular-skeletal pain.



Upholstery.

You can choose between seamless upholstery, comfortable and easy to sanitise, or a Memory Foam padding (optional) that offers exceptional comfort.



Active seating.

A rocking mechanism helps the seat follow body movement throughout every stage of work: this dynamic seating instils a feeling of wellbeing and energy. The angle of movement is easily adjusted and can be locked in place.



The right posture.

Unique ergonomics allows users to keep their neck and legs at the right angle to minimise strain on muscles and the spinal column. The shape of the seat evenly distributes weight across its entire surface.



Adjustable height.

Seat height is adjustable to make it suitable for users of any build. A 10 cm extension and an optional footrest ring complete this stool.

Versatility and safety

S8

The S8 stool ensures excellent freedom of movement and stability thanks to its comfortable armrest and adjustment

mechanisms. Every detail has been designed with practicality and comfort in mind.



Seat.
The circular seat is particularly comfortable for assistants who often need to change position to access the various instruments.



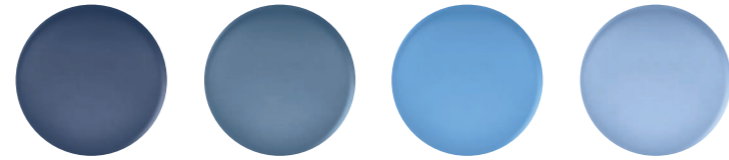
Armrest.
The armrest is shaped to ensure the best possible support during long sessions: it's also made of non-slip material. Since it is not attached to the seat, it can rotate 360°: specific technical solutions ensure its optimal stability and make cleaning simple.

Adaptable positioning.
At the time of assembly you can choose either a centralised position, suitable for any type of support, or a left- or right-handed configuration if the stool is to be used primarily in one position.



Colours

- 102 198 Atlantic blue
- 113 183 Pacific blue
- 106 196 Mediterranean blue
- 136 186 Indian blue
- 135 194 Venetian red
- 115 195 Scottish salmon
- 132 192 Blueberry violet
- 134 184 Japanese wisteria
- 103 182 Nevada yellow
- 123 193 Polynesian green
- 101 197 Caribbean green
- 137 187 Satin silver
- 121 199 Anthracite grey
- 130 180 Graphite black



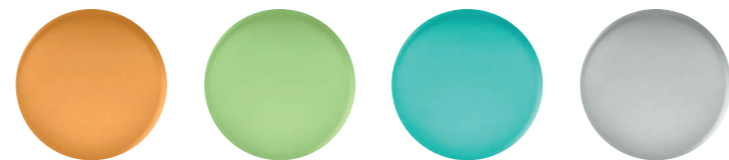
Standard upholstery 102 113 106 136

Memory Foam padding 198 183 196 186



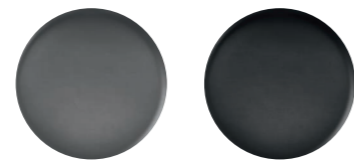
Standard upholstery 135 115 132 134

Memory Foam padding 194 195 192 184



Standard upholstery 103 123 101 137

Memory Foam padding 182 193 197 187

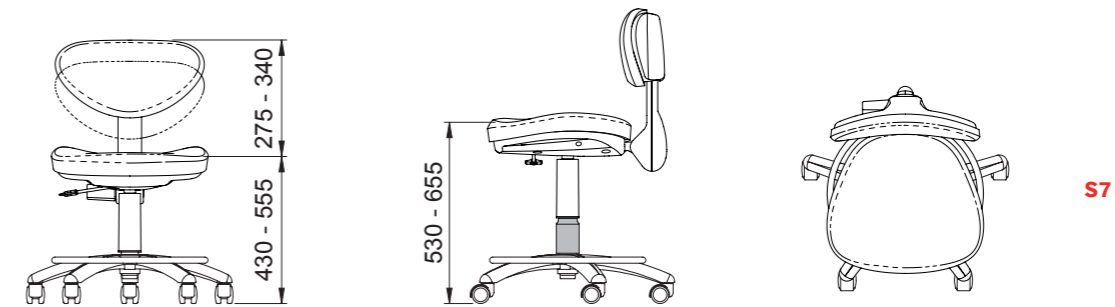


Standard upholstery 121 130

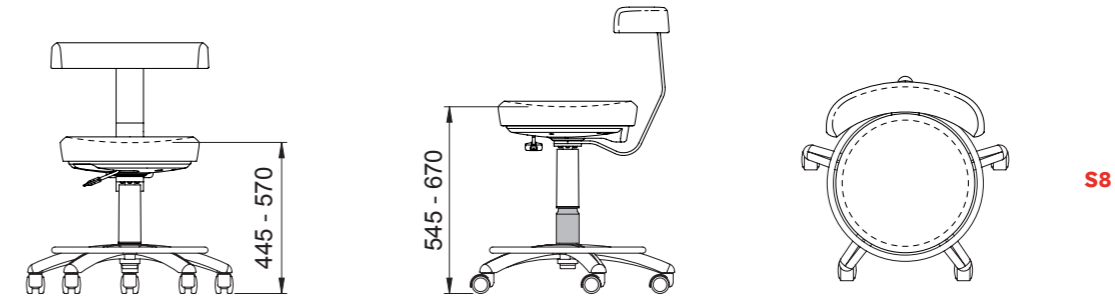
Memory Foam padding 199 180

Technical Specifications

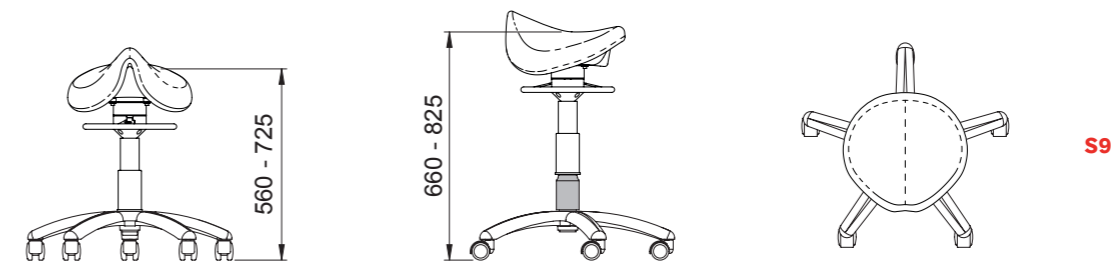
	S7	S8	S9
Footrest ring	optional	optional	optional
10 cm extension	optional	optional	optional
Balance system	-	-	standard
Standard upholstery	standard	standard	standard
Memory Foam padding	-	-	optional



S7



S8



S9



Footrest ring.

An optional footrest ring offering operators comfortable, stable support is available for all models. Its metallic finish makes cleaning simple.



Extension.

An optional 10 cm extension is available for all models, ensuring the seat height can be adapted to all user builds.